



Installation Instructions

Important—Save for local electrical inspector's use.

Electric Range

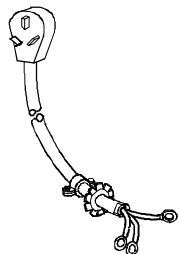
Keep instructions for future reference. Be sure manual stays with range.

Read entire instruction before beginning installation.

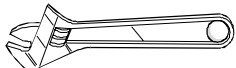
Read Owner's Manual for safe installation.

You'll Need a Few Things Before You Begin

Power Cord
(3-wire or 4-wire)
and Strain Relief



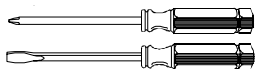
Wrench



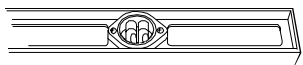
$\frac{3}{8}$ " Nut Driver
or Sockets



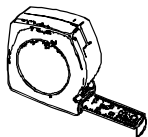
Screw
Drivers



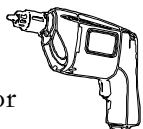
Level



Tape Measure



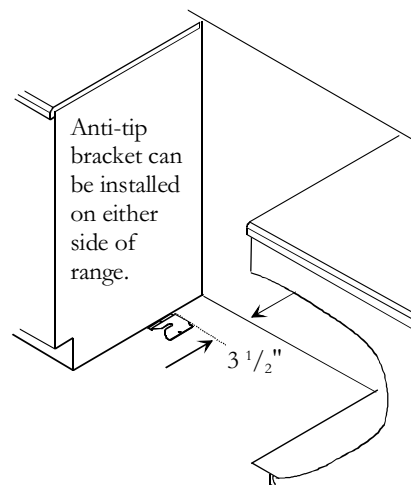
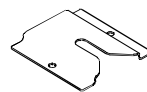
Drill and DrillBit
 $\frac{3}{32}$ " for wood floor
 $\frac{3}{16}$ " for concrete floor



1 PREPARE TO INSTALL RANGE AND INSTALL ANTI-TIP BRACKET

Measure cabinet area and prepare it according to illustrations in *Minimum Clearances to Combustible Surfaces and Range and Cabinet Dimensions* section in this manual.

Remove the packing materials and locate the anti-tip bracket, screws and plastic anchors.



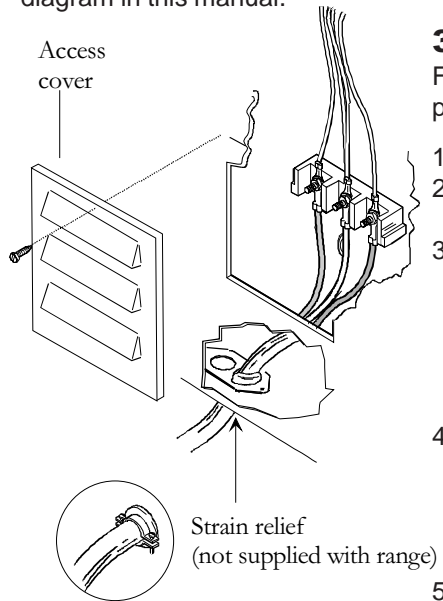
Anti-tip Bracket Installation

To avoid risk of range tipping, secure range with a properly installed anti-tip bracket.

1. Measure and mark $3\frac{1}{2}$ " from back wall on either right or left side of cabinet cutout.
2. Place anti-tip bracket $3\frac{1}{2}$ " from back wall and against the side cabinet.
 - If range is not installed beside cabinet(s), position range where it will be installed. Draw a line along side of range. Remove range and place anti-tip bracket with back edge $3\frac{1}{2}$ " from back wall and on the line drawn along side of range.
3. Mark 2 hole locations in anti-tip bracket, remove bracket and drill 2 holes.
 - If drilling into wood, use a $\frac{3}{32}$ " drill bit.
 - If drilling into concrete, use a $\frac{3}{16}$ " masonry drill bit and insert plastic anchors.
4. Secure bracket to floor using screws supplied.
5. After range is in final position, remove range storage drawer or lower panel and confirm anti-tip bracket is engaged with range leveling leg.

2 CONNECT ELECTRICAL CORD

To place electrical receptacle, see *Electrical Receptacle Location* diagram in this manual.



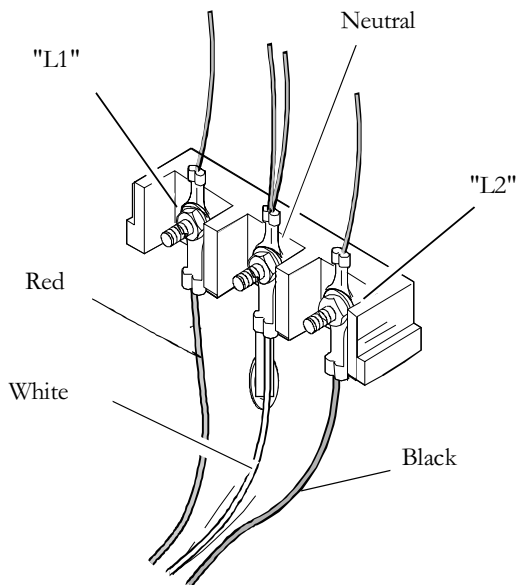
Range has been grounded at the factory to the center (nickel plated) terminal of the terminal block in accordance with the National Electric Code (section 2560). When a separate ground is required by local code, disconnect the grounding strap from the terminal block. Ground frame by connecting a grounding wire to range frame using the grounding strap and screw, as shown below, removed from the grounding strap.

3-wire or 4-wire Plug Connection

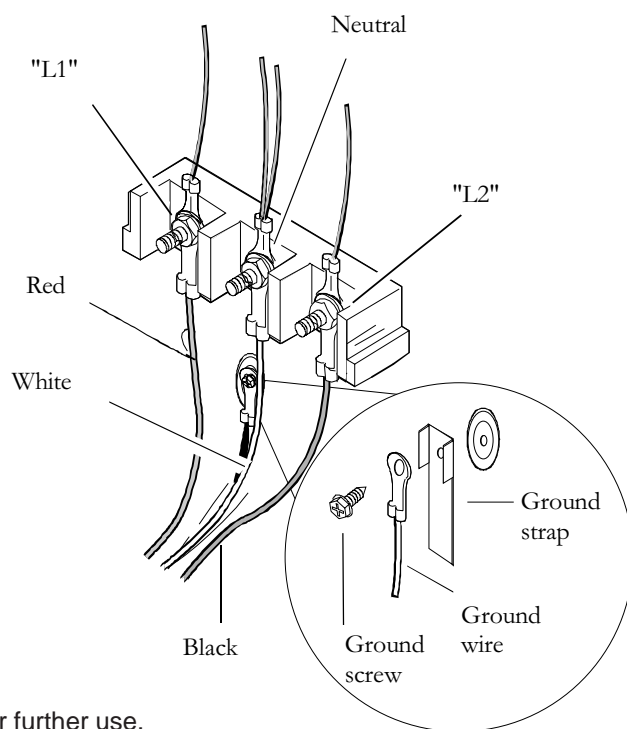
Four-wire cord is required for mobile homes or where codes (Canada) do not permit grounding through neutral.

1. Remove access cover from rear of range.
2. Use a strain relief (not supplied) and insert end of power cord (not supplied) through power supply hole.
3. **4-wire Plug Only**—Remove the green ground screw from range back. Remove both the hex nuts and the grounding strap from the center terminal. Position grounding strap down and away from terminal block. Replace 1 hex nut on the center terminal. Attach the power cord ground wire (green or bare) and grounding strap to rear bulkhead using ground screw.
4. Unscrew and use top hex nut to attach the power cord wires to the terminal block as follows:
 - Red wire to "L1" terminal.
 - Black wire to "L2" terminal.
 - White wire to Neutral terminal.
5. Tighten all hex nuts and reinstall access cover removed in step 1.

3-wire Cord Installed



4-wire Cord Installed



Converting 3-Wire to 4-Wire Power Cord

1. Remove access cover from rear of range.
2. Remove bottom strain relief screw and retain for further use.
3. Remove hex nuts from terminal block and retain for further use.
4. Remove all 3-wire or cable leads from the terminal block and proceed to remove the power cord from the range by pulling in a downward motion so the cord is removed from strain relief.
5. To install the 4-wire cord, follow the 4-wire instructions shown above.

3 POSITION AND LEVEL RANGE

Place range near final position and plug in. Then, slide range into final position and adjust all legs (4) until range is level side to side and front to back.

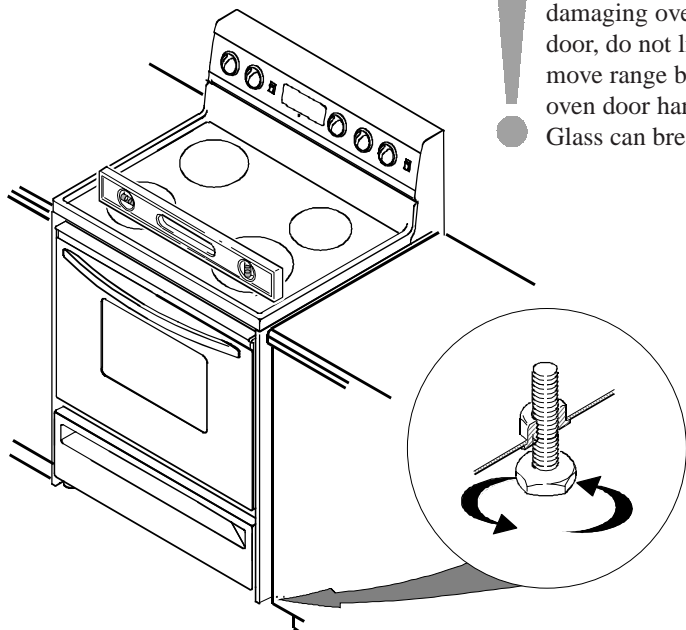
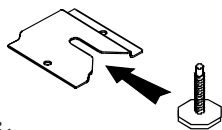
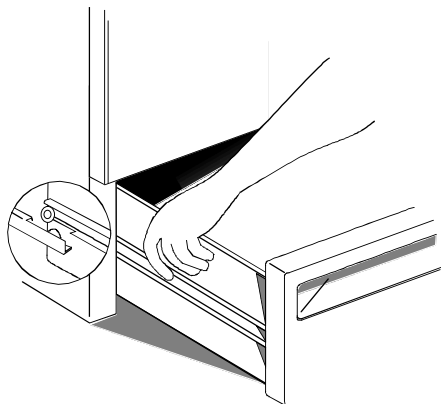
- Place a level on top oven rack or on range top when leveling.
- Leveling legs must extend $\frac{1}{4}$ inch to engage anti-tip bracket.

Remove Storage Drawer and Check Anti-tip Bracket

After range is in position, remove storage drawer or lower panel and confirm anti-tip bracket is engaged with range leveling leg.

To remove storage drawer

1. Slide drawer out until it stops.
2. Grasp drawer sides near back of drawer.
3. Lift up and out. Reverse to reinstall.



To avoid damaging oven door, do not lift or move range by oven door handle. Glass can break.

Removal and Replacement of Range

1. Disconnect power to range.
2. Slide range forward.
3. Unplug range cord and place range aside.
4. Remove anti-tip bracket.
5. Install anti-tip bracket into new location using instructions provided with bracket or see Anti-tip Bracket installation section in this manual.
6. To reinstall range, follow instructions in this manual.

Questions?

See *Owner's Manual* or call Amana

Consumer Affairs Department

1-800-843-0304

IMPORTANT SAFETY INFORMATION



WARNING

To avoid risk of burns or fire by reaching over elements, cabinet storage space located above range should be avoided. If cabinet storage is provided, install a range hood that projects horizontally a minimum of 5 inches beyond the cabinet bottom to reduce the risk.



WARNING

To avoid risk of electrical shock, personal injury, or death, make sure your range has been properly grounded and always disconnect it from main power supply before servicing.



WARNING

To reduce risk of the appliance tipping, it must be secured by a properly installed anti-tip bracket(s). To make sure bracket has been installed properly, remove the storage drawer or panel and look under the range with a flashlight. Bracket(s) must be engaged in the rear corner of the range.



- ALL RANGES CAN TIP
- INJURY TO PERSONS COULD RESULT
- INSTALL ANTI-TIP BRACKET(S) PACKED WITH RANGE
- SEE INSTALLATION INSTRUCTIONS

Minimum Clearances to Combustible Surfaces

Underwriter's Laboratories, Inc. specifies this range can be installed flush against right and left base cabinets, and rear vertical wall. Range can also be installed flush against left or right vertical wall extending above 36 inch standard countertop height. **The dimensions provided are to be measured from the range itself**, and not the installation cutout for the range.

A—Minimum of 30 inches between top of cooking surface and bottom of an unprotected wood or metal cabinet.

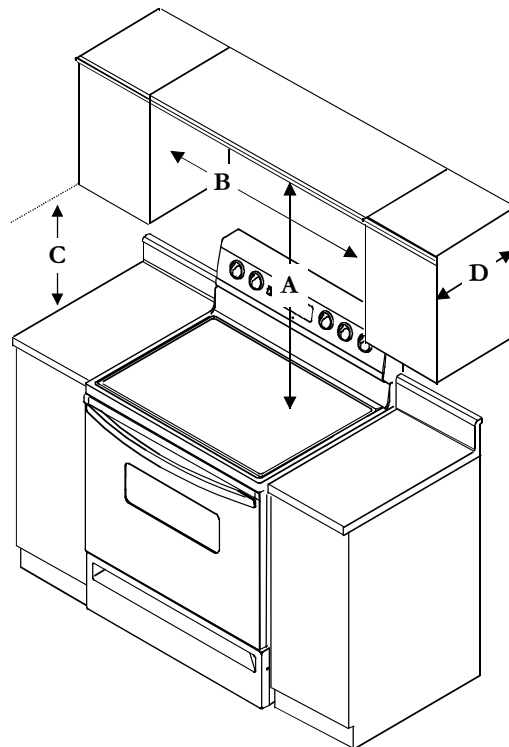
OR

A—Minimum of 24 inches between cooking surface and protected wood or metal cabinet above range. Cabinet bottom must be protected by at least ¼ inch thick millboard with not less than No. 28 MSG sheet steel, .015 inch thick stainless steel, .024 inch thick aluminum, or .020 inch thick copper.

B—Minimum of 30-inches of protected cabinets above the range (refer to letter A)

C—Minimum of 18" between top of countertop and bottom of an unprotected wood or metal cabinet.

D—Maximum depth of 13" for overcounter cabinets.

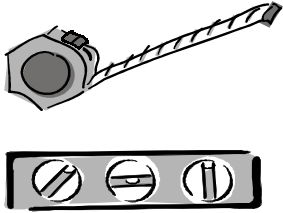
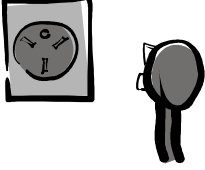


SAVE THESE INSTRUCTIONS

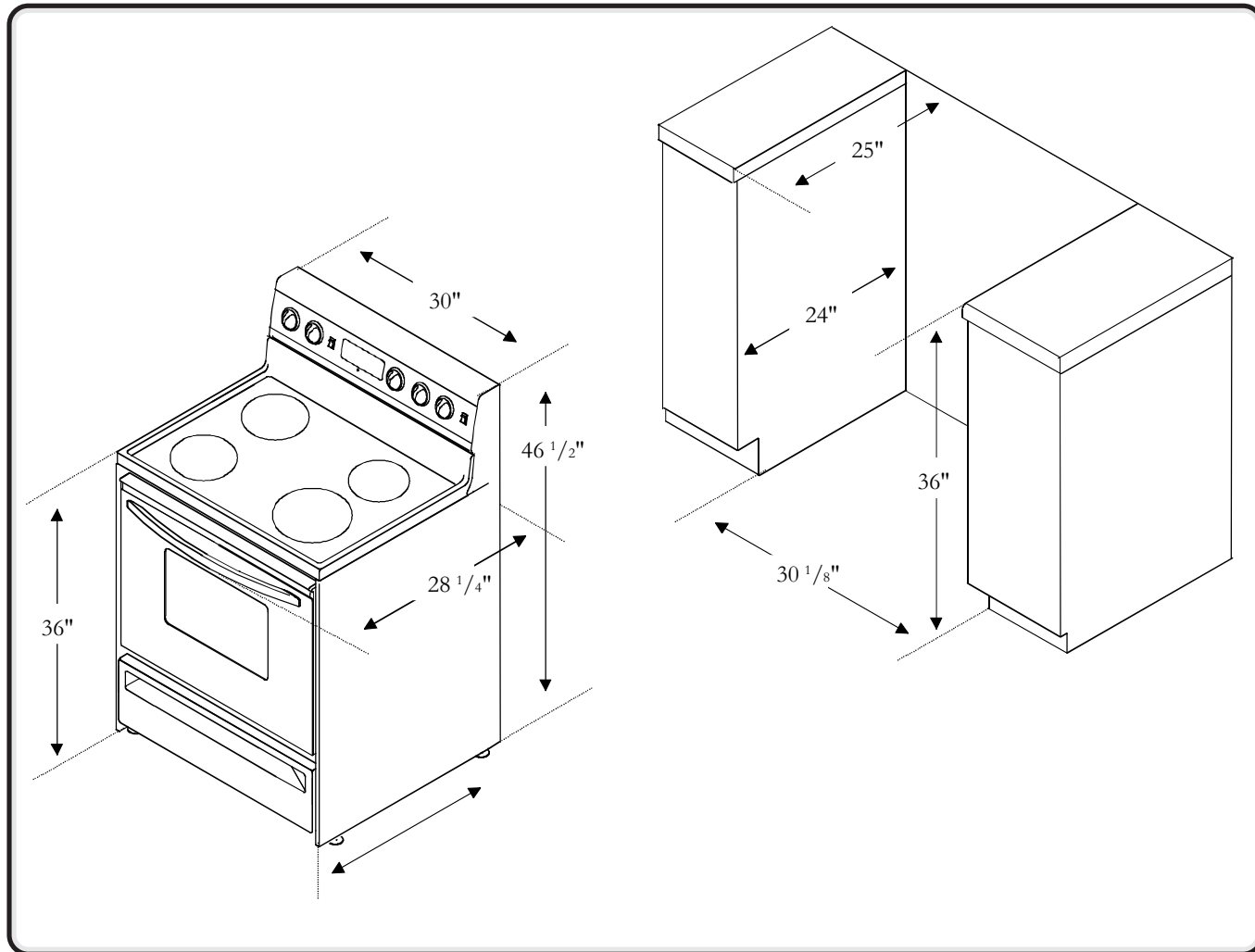
Installation Requirements

Before You Install



Consider	Description
<p data-bbox="167 394 277 415">Location</p> 	<p data-bbox="537 394 1430 499">Underwriter's Laboratories, Inc. specifies range can be installed flush against right and left base cabinets, and rear vertical wall. Range can also be installed flush against left or right vertical wall extending above 36 inch standard countertop height.</p> <p data-bbox="537 510 1325 562">Use dimensions shown in this manual to determine space needed for installation.</p> <p data-bbox="537 573 1446 699">Range must not be installed or stored in an area where it will be exposed to water and/or weather. Range is heavy and must not be installed on soft flooring such as cushioned vinyl or carpeting. If this type of flooring is present where the range will sit, ¼" thick sheet of plywood or similar material should be placed where the range will be installed.</p> <p data-bbox="537 709 1044 741">Irregular Cabinet and Countertop Heights</p> <p data-bbox="537 751 1463 804">Countertops such as ceramic tile tops cause cabinet and countertop to be higher than 36". Follow instructions below when countertop is higher than 36".</p> <ol data-bbox="537 814 1446 993" style="list-style-type: none">1. Raise leveling legs to maximum height.2. Measure from floor to rangetop. If the height of the range is less than height of countertop, floor must be shimmed.3. Shim floor using a piece of plywood same size as range opening. Secure plywood to floor. Plywood must be as secure as original flooring.4. Install anti-tip bracket and slide range into place.
<p data-bbox="167 1045 459 1066">Electrical Requirements</p> 	<p data-bbox="537 1045 748 1077">Electrical Supply</p> <p data-bbox="537 1077 1455 1255">Range needs a 3 or 4 wire 240 Volt AC, 40 amp, 60 Hertz, 1 Phase electrical supply. Wiring system and grounding must conform with the latest edition of the National Electric Code, ANSI/NFPA 70, or the Canadian Electrical Code, CSA C22.1. Installation must conform to all local, municipal and state building codes, and local utility regulations. Connect range to power supply with MAXIMUM RATED VOLTAGE listed on the rating plate. Line voltage must not exceed rated voltage.</p> <p data-bbox="537 1266 691 1297">Copper Wire</p> <p data-bbox="537 1297 1438 1402">Terminal block is approved for copper wire connection only. If aluminum house wiring is to be connected to the cooktop, use only connectors designed for joining copper to aluminum and follow the manufacturer's recommended procedure closely. The following procedure is suggested:</p> <ol data-bbox="537 1413 1438 1591" style="list-style-type: none">1. Connect length of copper building wire to range terminal block with ring terminals.2. Splice copper wires to aluminum wiring using connectors that are design certified by Underwriter's Laboratories and recognized for joining copper to aluminum. Follow the connector manufacturer's recommended procedure.3. Wire used, location and enclosure of splices must conform to local codes. <p data-bbox="537 1602 683 1633">Power Cord</p> <p data-bbox="537 1633 1455 1759">Power cord is not supplied with range. Power cord must be U.L. or C.S.A. listed and meet NEC and Mobile Home Manufacturers Association Standards. Cord must be rated at a minimum 250V—40 AMP, equipped with a plug configuration in accordance with NEMA. Conductors must end with closed loop (ring) terminals at the range.</p> <ul data-bbox="537 1770 1406 1854" style="list-style-type: none">• Three-conductor cord plug NEMA 10-50P allowed for residential in U.S.• Four-conductor cord plug NEMA 14-50P required in Canada and for most mobile home installations, but can be used for residential. <p data-bbox="537 1864 1422 1969">NOTE: Only a power cord suitable for use with ranges may be used. For installation in a mobile home, or area where local codes (Canada) do not permit grounding through the neutral terminal, a 4-wire cord must be used.</p>

Range and Cabinet Dimensions



Electrical Receptacle Location

Locate electrical receptacle in area with diagonal lines.

