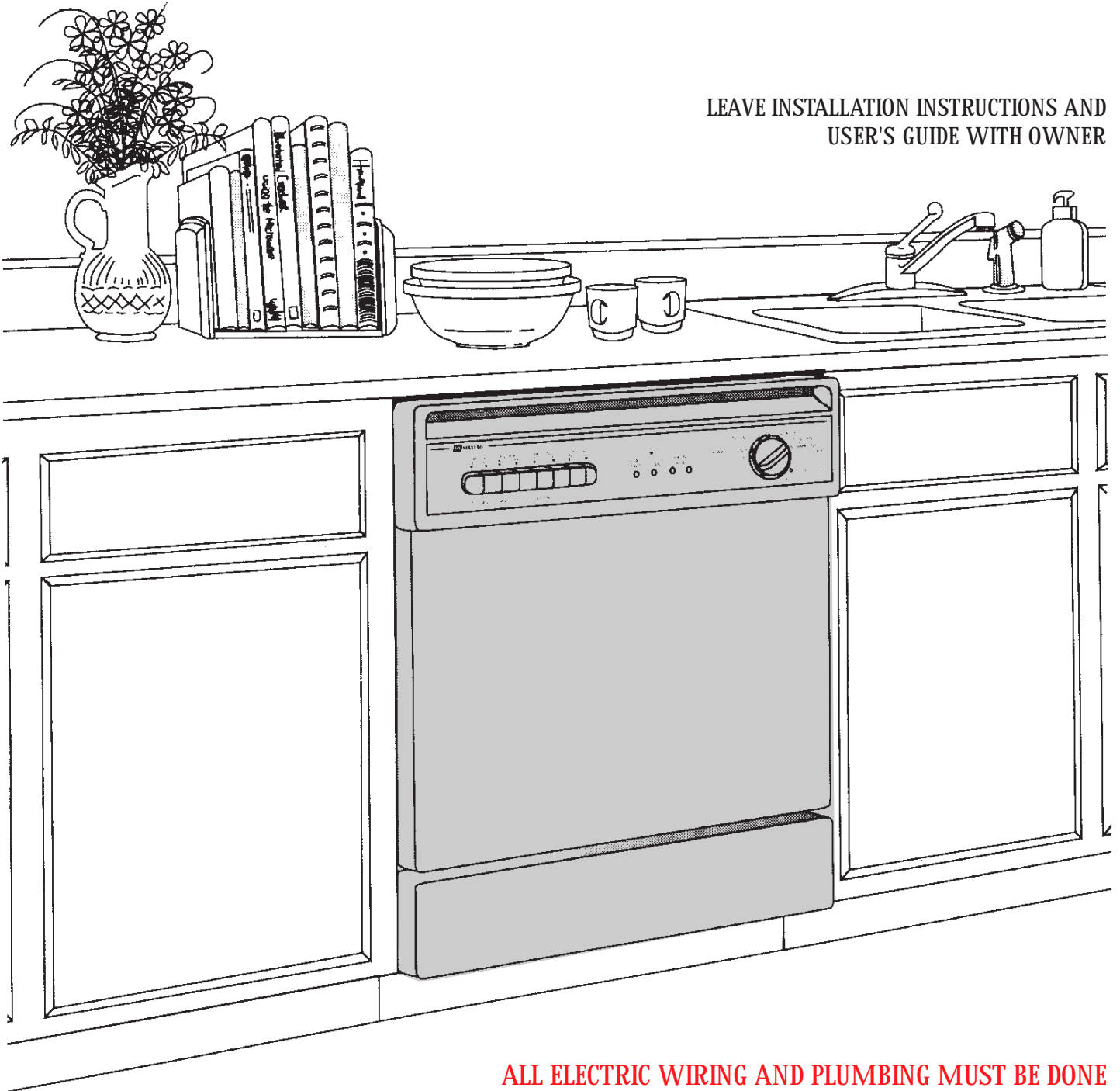


# BUILT-IN DISHWASHER

## INSTALLATION INSTRUCTIONS

PLEASE READ COMPLETE INSTRUCTIONS BEFORE YOU BEGIN

LEAVE INSTALLATION INSTRUCTIONS AND  
USER'S GUIDE WITH OWNER



**ALL ELECTRIC WIRING AND PLUMBING MUST BE DONE  
IN ACCORDANCE WITH NATIONAL AND LOCAL CODES.**

# REQUIREMENTS

Start Here

## 1 TOOLS NECESSARY FOR INSTALLATION\*

- CUTTING KNIFE
- RATCHET
- 3/16", 1/4", 5/16" SOCKETS
- PHILLIPS SCREWDRIVER
- STANDARD SCREWDRIVER
- WIRE CUTTERS
- CRESCENT WRENCH
- ADJUSTABLE PLIERS
- LEVEL

\* (Not included: Tools required for preparing the cabinet opening).

### SUPPORT ACCESSORIES:

- 3/4" UL Approved Strain Relief (provided)
- 2 Appropriate Sized Wire Nuts
- 3/8" Male (N.P.T.) Compression Elbow or Flare Elbow
- Thread Sealing Tape or Pipe Thread Compound
- Appropriate Sized Hose Clamp
- 2 Wood Mounting Screws (provided)

### Water Hook-Up Kits Available:

(Water line, water valve fitting, Teflon™ tape, tee valve fitting)

5' Braided Stainless Steel Part #19950153

5' Copper Part #19950152

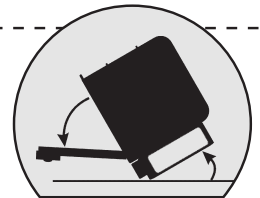
Available through an authorized Maytag Parts Retailer



**NOTE:** Make sure you have everything necessary for proper installation before going to step 2.

## UNCRATING 2

- 1 Remove access and toe panels before beginning installation.
- 2 Remove bolts from the crate base brackets, using 5/16" socket with ratchet. Remove crate base and discard base and packaging. Until dishwasher is permanently installed, beware of opening the door as the unit may tip forward.
- 3 Open the door and remove accessory package from silverware basket.
- 4 Remove any extra packing material from outside and inside the dishwasher. This would include plug in water valve inlet.
- 5 Loosen front leg bolts with a crescent wrench. Adjust rear leg bolts in same manner.

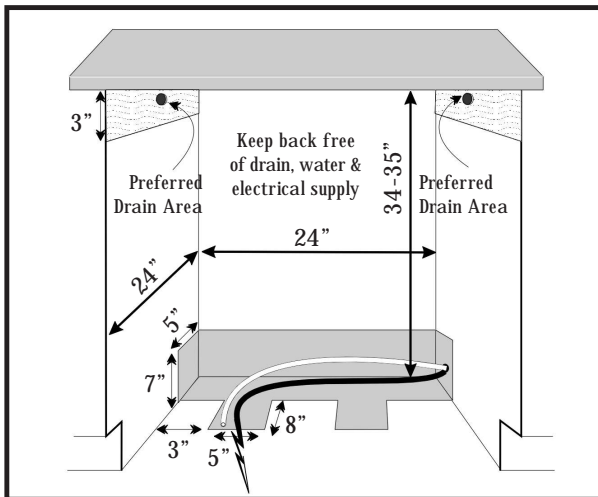


**TIP:** Pre-measure cabinet height to that of the dishwasher. Dishwasher should be 1/4" lower than that of the cabinet opening. It's easier to adjust the dishwasher outside the cabinet than inside.

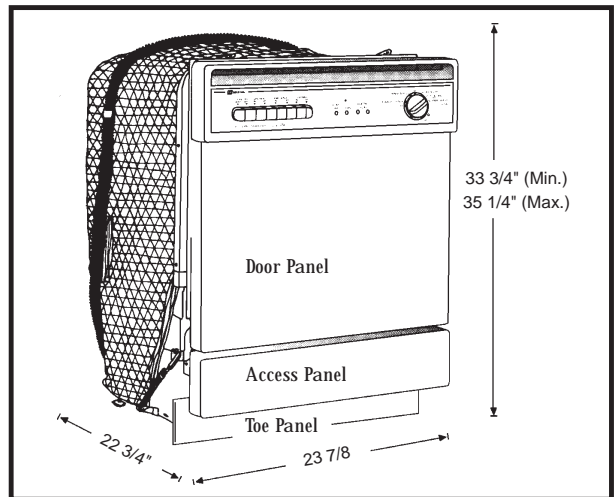
## CABINET PREPARATION

3 Prepare cabinet as needed. Electrical and water facilities should enter cabinet opening on the floor, or through the back or side walls, as shown in the shaded portion of the drawing. Preferred drain outlet is shown in the upper portion of the cabinet in drawing below. Care should be taken to route plumbing away from the motor and blower (if equipped). DO NOT make connections until dishwasher is in position. Care should be taken to make sure cabinet holes for power cord and hoses have no sharp edges.

cabinet opening



dishwasher dimensions



## CUSTOM PANELS AVAILABLE

Dishwashers come with pre-installed panels. Custom panels are available: stainless steel and trims kits for wood panels. See your authorized selling dealer for a complete list of products available.

## WATER VALVE PREPARATION

- 1 Remove shipping plug from water inlet valve.
- 2 Install a 90° elbow (3/8" N.P.T) fitting into the water valve using Teflon™ tape or pipe thread compound. The opposite end of the fitting should fit in-coming hot water supply line. Position the end of the elbow towards the rear of the dishwasher.

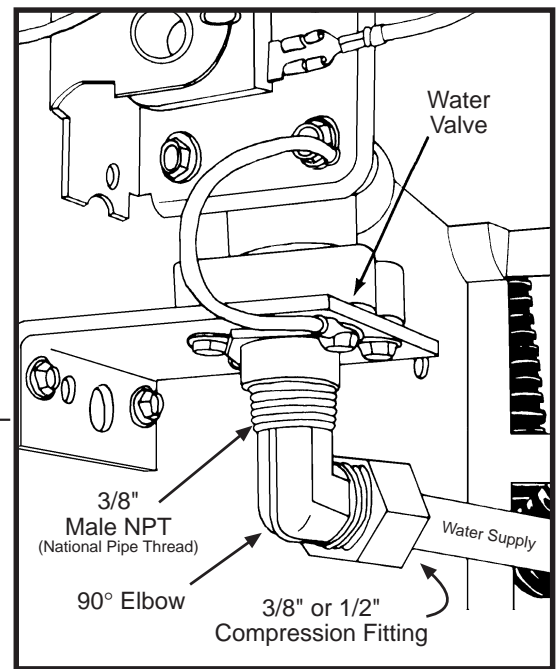
**IMPORTANT:** DO NOT connect a sweat type fitting directly to the water valve as the required heat will damage the water inlet valve. Do not solder within 6" (15.2 cm) from the water valve.

Tip: You may want to gently lay the dishwasher on it's back to aid installation of the water valve fitting.

Tip: Teflon™ tape wraps clockwise onto threads.

**CAUTION:** With the door open, dishwasher may tip forward if it is not secure in position to cabinet.

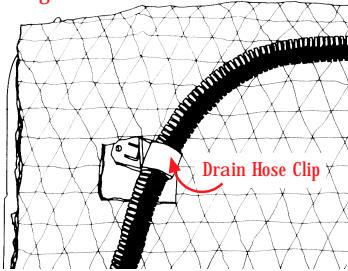
Tip: Drain hose may have a small amount of water left from factory quality assurance testing.



## 5 DRAIN HOSE PREPARATION

Dishwasher drain must have a 32" (81.2) loop. Drain hose may be clipped to either side of the dishwasher (see diagram A). It is preferred that the drain hose be routed high enough to provide the 32" loop. If a loop cannot be put in the installation, an air gap (not included) may be used.

Diagram A



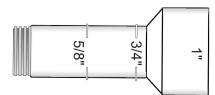
(Side view of dishwasher)

**IMPORTANT:** Routing of the drain hose is most important to insure satisfactory operation. It is not recommended to extend drain line beyond 7' (2.1 m). However, should this be necessary, it must always be attached to a line of larger inside diameter. An accessory drain hose extension kit (#904204) is available through your authorized dealer. DO NOT route drain hose across the top of the tub, all bends must be gradual to prevent kinking or collapsing of the hose.

**IMPORTANT:** Drain hose may change position even after installation. To insure proper operation, secure hose to either side of cabinet wall, or to tub with hose clip (provided) to assure a 32" loop. Make certain there are no kinks.

**IMPORTANT:** Do not attach the drain hose to any connection smaller than 1/2" I.D.

**IMPORTANT:** Never cut the corrugated portion of drain hose. All connections must be made to rubber portions of drain hose. If cutting of drain hose is required, do not cut past the 5/8" line.



Multi-flex Drain Hose

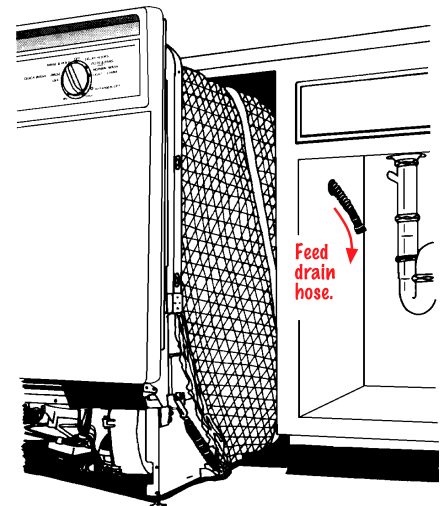
## DRAIN

A 5/8" (1.6 cm) I.D. (Inside Diameter) x 7 ft. (2.1 m) corrugated drain hose is positioned on side of dishwasher tub.

Drain hose connection can be located on either side of compartment. Elevate drain hose to a height of at least 32" (81 cm) above the floor. If drain connection is to be made below the floor, hose should be left in the looped position. It may be necessary to extend drain hose for connection. DO NOT reduce the drain hose to less than 1/2" (1.3 cm) I.D. (Inside Diameter).

## 6 POSITIONING THE DISHWASHER

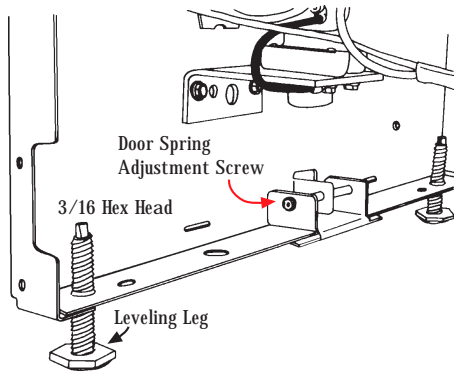
- 1 With the door latched, position dishwasher in front of cabinet opening. Insert drain hose through the opening provided.
- 2 Guide dishwasher into the cabinet, pulling drain hose through opening as you proceed. Make sure drain hose is not kinked.



## 6 POSITIONING THE DISHWASHER (continued)

Tip: Check to be sure there is no interference with water line and wiring. Verify that power is turned off at source.

Tip: When installing dishwasher near a corner, allow enough room for the door to open without interfering with any cabinets, drawers, or hardware.



## 7 LEVEL DISHWASHER

Leveling legs align the dishwasher vertically and horizontally. A combination of these two adjustments are necessary to properly position the dishwasher and insure proper fit of door and latch. Dishwasher must be LEVEL, solid, and square.

Tip: Disregard the squareness of cabinets, cabinet trim may be used to correct situation later.

## 8 SECURING THE DISHWASHER

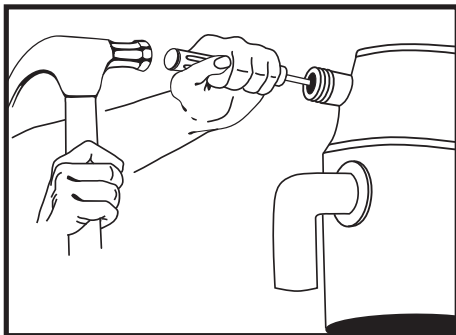
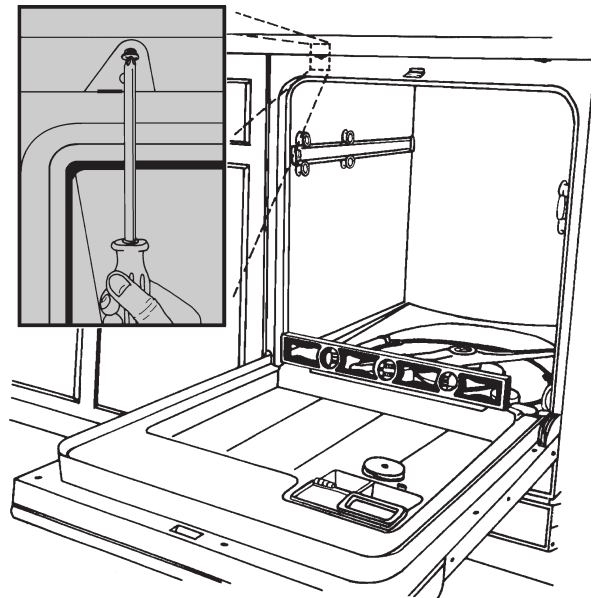
Make pilot holes in the underside of counter and drive wood screws, provided in the accessory package, through holes in the dishwasher mounting bracket. If part of the bracket extends beyond the cabinet front, they may be trimmed with wire cutters, provided sufficient material is left to support dishwasher mounting.

Note: Dishwasher must be secured properly to countertop to avoid tipping when the door is open and to prevent the tub from twisting.

It may be necessary to provide an additional anchoring source for mounting screws. Wood strips across the top of dishwasher opening can be used for solid surface or granite type counters to secure the dishwasher.



Tip: Refer to countertop manufacturer for complete details on securing dishwasher to countertop.



## 9 DRAIN HOSE ATTACHMENT

- 1 If draining into the disposer, check to make sure disposal plug has been removed. If not, remove as shown.
- 2 With dishwasher in permanent position, clamp drain hose to a properly sized drain line.



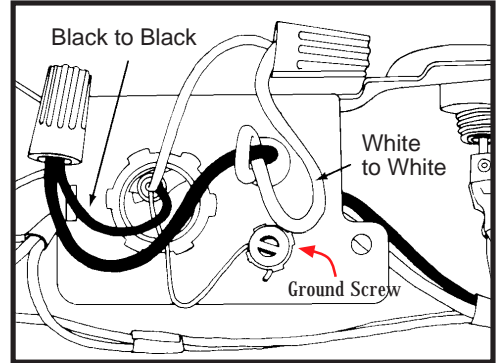
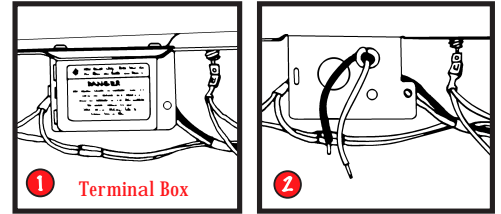
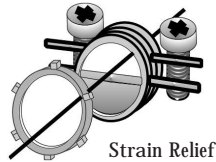
SEE THE ELECTRICAL REQUIREMENTS SECTION

**CAUTION:** Verify power to dishwasher is off at source.

- 1 Remove terminal box cover.
- 2 In order to secure the power supply cable, a UL listed strain relief must be used to secure the power supply to the back of terminal box.
- 3 Strip approximately 3/8" (.09 cm) of insulation from incoming power supply wires. Connect these wires to wires from dishwasher wire harness located in the terminal box. Connect wires using the appropriate size wire nuts, twisting and tightening securely over the wire connections. Connect white to white and black to black.

Tip: To check for secure wire nut connection, gently tug on wire nut. If wire nut comes off, repeat step 3.

- 4 Attach external ground wire from behind washer of green grounding screw. If an external groundwire is used, insert the wire through the cable clamp and attach behind washer of the green grounding screw. Attach the other end of external ground wire to a suitable external ground. If a question arises, refer to your local electrical codes.
- 5 Secure the strain relief and replace the terminal box cover.



## WATER HOOKUP

CHECK LOCAL PLUMBING CODES FOR APPROVED PLUMBING PROCEDURES AND ACCESSORIES. ALL PLUMBING SHOULD BE DONE IN ACCORDANCE WITH NATIONAL AND LOCAL CODES.

Connect water supply line to water valve. Minimum 3/8" O.D. copper tubing or equivalent.

**SHUTOFF VALVE:** Install a hand shutoff valve in the water supply line in an accessible location, such as under the sink. The shutoff is optional, but recommended and may be required by local codes. Connections are preferable located toward the left side of dishwasher. Care should be taken to route plumbing away from motor and blower (if equipped). DO NOT make these connections until the dishwasher is in position.

Care should be taken to protect dishwasher and water lines leading to dishwasher from freezing. Damage from freezing is not covered by the warranty.

## FINALIZING THE INSTALLATION

- 1 Turn water supply on and check connections for leaks.
- 2 Turn power supply on.
- 3 Re-install Access and Toe panels removed in step 2.
- 4 Run dishwasher through Rinse and Hold or equivalent cycle.
- 5 Check drain hose connection for leak.

# ELECTRICAL REQUIREMENTS

**CAUTION:** Disconnect electrical power before you start!

**ALL ELECTRICAL WIRING AND GROUNDING SHOULD BE DONE IN ACCORDANCE WITH NATIONAL AND LOCAL CODES.**



**CAUTION:** To prevent accidental contact with electrical connections, built-in dishwasher models must not be connected to a power source unless the dishwasher is completely enclosed, with front panels in place. If the back or either side of the dishwasher is exposed, a custom-made panel must be used to complete this enclosure.

This dishwasher is designed for operation on an adequately wired individual 120 VAC, 60 Hz approved electrical circuit. Use required fuse (15 amp) or comparable circuit breaker. Two wire with ground service to the dishwasher is recommended for connection at the terminal box and for grounding.



## GROUNDING INSTRUCTIONS

**CAUTION:** To prevent the possibility of electrical shock, this dishwasher, as other electrical appliances, must be adequately grounded. It is the responsibility of the installer at the point of installation, taking into consideration local conditions and requirements.

This appliance must be connected to a grounded metal, permanent wiring system; or an equipment-grounding conductor must be run with the circuit conductors and connected to the equipment-grounding terminal or lead on the appliance.

# PLUMBING REQUIREMENTS

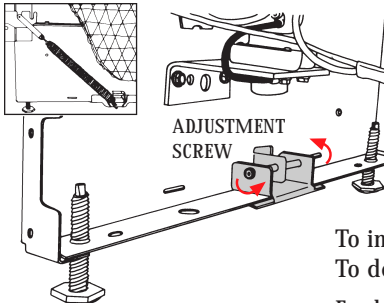


**CAUTION:** Disconnect electrical power to dishwasher before you start!

**CHECK LOCAL PLUMBING CODES FOR APPROVED PLUMBING PROCEDURES AND ACCESSORIES. ALL PLUMBING SHOULD BE DONE IN ACCORDANCE WITH NATIONAL AND LOCAL CODES.**

## DOOR SPRING ADJUSTMENT

Dishwasher Side View



The door has two main springs, one located on each hinge. There are two slots on each hinge that allow for door adjustment with the access panel removed.

To change door spring tension, use a 1/4" hex-nut driver to either loosen or tighten a single screw located on each door spring adjustment bracket. The spring adjustment brackets are located on either side of the dishwasher frame. These brackets stretch the springs by sliding forward and back along the dishwasher frame.

To increase spring tension: (If door falls too fast) Tighten each screw by turning clockwise.

To decrease spring tension: (If door falls too slowly) Loosen each screw by turning counterclockwise.

For heavy wood panels, an auxiliary booster spring kit is available.