



4.8 cu. ft. Electric Range

AER6303MF



Stainless Steel
AER6303MFS

Also available in:

- White **AER6303MFW**
- Black **AER6303MFB**

Capacity

Oven 4.8 cu. ft.

General Features & Properties

Easy Touch Electronic Controls Plus

Temp Assure™ Cooking System

Extra-Large Oven Window

Storage Drawer

Warm Hold

Oven Lockout

Indicator Lights

Sabbath Mode

Electrical Details

Amps 40

Volts 120/240

Technical Details

Fuel Type Electric

Range Type Freestanding Single Oven

Oven Cooking System Thermal

Number of Oven Racks 2

Cleaning Type Manual Clean

Number of Elements 4

Element Type Radiant

Element Size/Power
(2) 8" 1800W
(2) 6" 1200W

Dimensions

Product Dimensions (H x W x D) 46-7/8" x 29-7/8" x 27-3/4"

Depth with Door Open 90° 46-11/16"

Reference Material

[Dimension Guide](#)

[Install Guide](#)

[Use & Care Guide](#)

[Warranty](#)

Key Features & Benefits

Large Oven Capacity

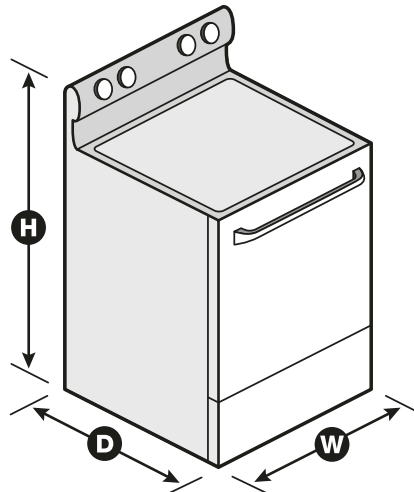
4.8 cu. ft. provides enough space to make dinner and dessert at the same time.

Versatile Cooktop

Multiple element options provide up to 1,800 watts to help cook more favorites at the same time.

Bake Assist Temps

Preset temperature settings make cooking even more convenient.



NOTE: Dimensions are for planning purposes only. For complete details, see Installation Instructions packed with product. Specifications subject to change without notice.

®/™ © 2020. All rights reserved. Printed in the U.S.A. D200052XXB. AER6303MFSPECSHEETV01.